



© Vintage Auto Garage 2017
 All Rights Reserved
 800-516-4461
sales@vintageautogarage.com

TO IGNITION SWITCH "ACC" TERMINAL
 (BLACK 18 AWG WIRE
 INCLUDED IN HARNESS KIT)
 WHERE IGN SWITCH HAS NO "ACC"
 TERMINAL, FOLLOW DASHED
 CONNECTION TO COIL +

TO START SOLENOID
 "BAT" TERMINAL
 (BLACK 14 AWG WIRE
 INCLUDED IN HARNESS KIT)

WHITE

BLUE

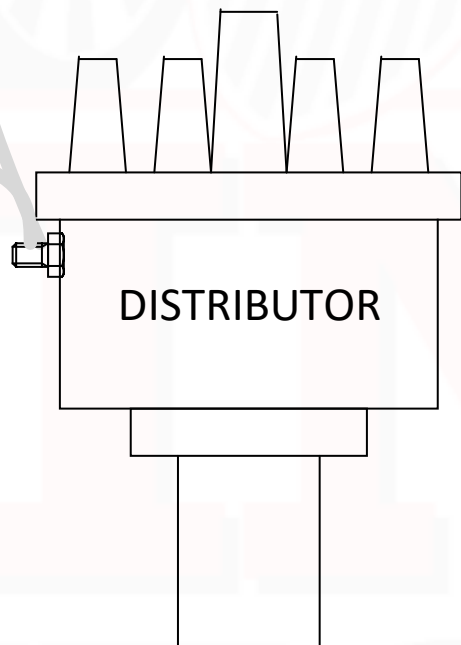
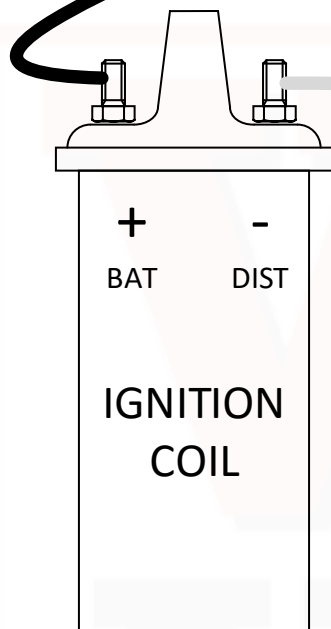
RED

ODR6 / ODR12
 OVERDRIVE RELAY
 MODULE

4-WIRE CONNECTION SHOWN
 SEE REVERSE FOR THESE OTHER CONNECTION TYPES:
 3-WIRE (NO CONNECTION TO BATTERY)
 ORIGINAL OR REPRODUCTION RELAY
 VRODS1 12-TO-6 VOLT ADAPTER & RELAY MODULE

OVERDRIVE
 GOVERNOR

TO IGNITION SWITCH
 "IGN" TERMINAL



OVERDRIVE
 KICKDOWN
 SWITCH

RED

WHITE

ORANGE

YELLOW

OVERDRIVE
 SOLENOID

CHASSIS
 GROUND

4

BLUE

6

ORANGE

YELLOW

OVERDRIVE
 SHIFT RAIL
 LOCKOUT
 SWITCH

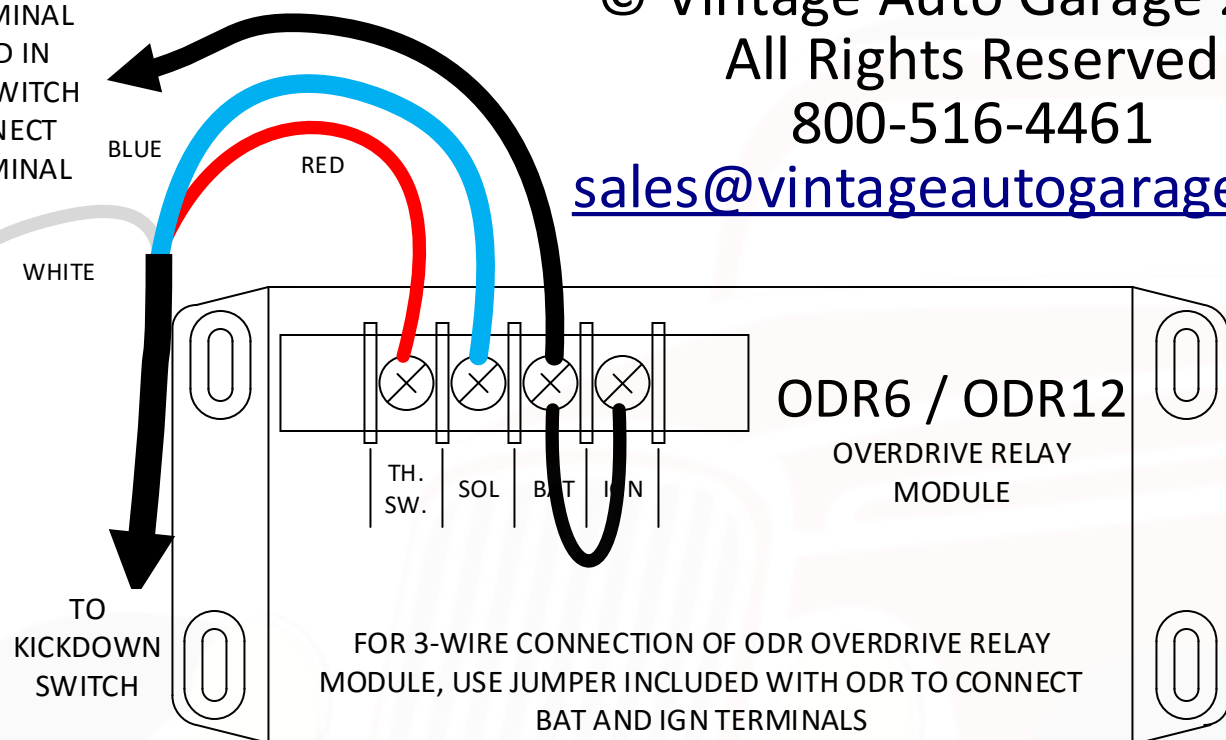
*IF NOT PRESENT,
 CONNECT YELLOW
 WIRE TO
 GOVERNOR

BORG-WARNER OD HARNESS INSTALLATION DIAGRAM

TO IGNITION SWITCH "ACC" TERMINAL
 (BLACK 14 AWG WIRE INCLUDED IN
 HARNESS KIT) WHERE IGNITION SWITCH
 HAS NO "ACC" TERMINAL, CONNECT
 TO IGNITION SWITCH "IGN" TERMINAL

TO COIL +
 TERMINAL

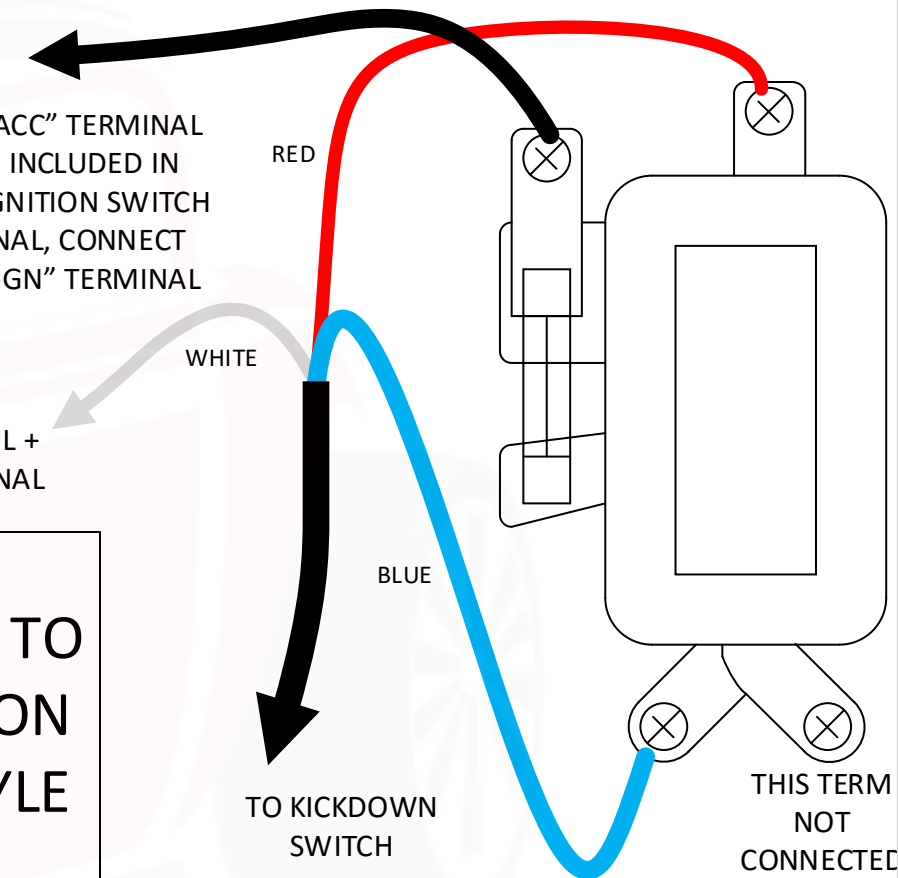
**3-WIRE
 CONNECTION
 TO ODR6 OR
 ODR12 RELAY
 MODULE**



TO IGNITION SWITCH "ACC" TERMINAL
 (BLACK 14 AWG WIRE INCLUDED IN
 HARNESS KIT) WHERE IGNITION SWITCH
 HAS NO "ACC" TERMINAL, CONNECT
 TO IGNITION SWITCH "IGN" TERMINAL

TO COIL +
 TERMINAL

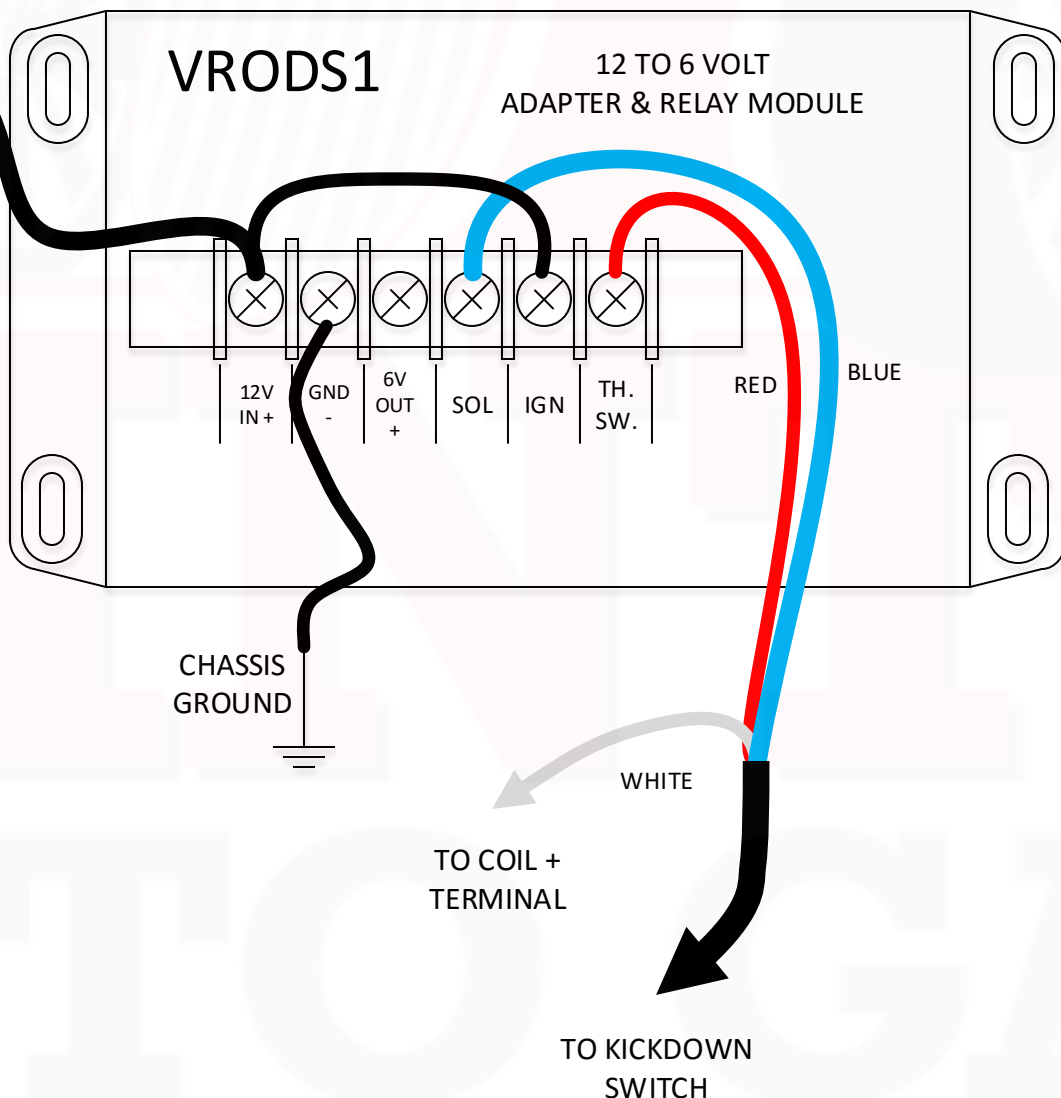
**3-WIRE
 CONNECTION TO
 REPRODUCTION
 ORIGINAL STYLE
 OD RELAY**



TO IGNITION SWITCH "ACC" TERMINAL
 (BLACK 14 AWG WIRE INCLUDED IN
 HARNESS KIT) WHERE IGNITION SWITCH
 HAS NO "ACC" TERMINAL, CONNECT
 TO IGNITION SWITCH "IGN" TERMINAL

**3-WIRE CONNECTION
 TO VRODS1 VOLTAGE
 ADAPTER & RELAY
 MODULE**

VRODS1 ADAPTS 12-VOLT POWER FOR USE
 WITH 6-VOLT OVERDRIVE SOLENOID. FOR
 4 WIRE CONNECTION, SEE VRODS1
 INSTRUCTION



TO START SOLENOID
 "BAT" TERMINAL
 (BLACK 14 AWG WIRE
 INCLUDED IN HARNESS KIT)

TO COIL +
 TERMINAL

TO IGNITION SWITCH
 "ACC" TERMINAL
 (BLACK 18 AWG WIRE
 INCLUDED IN HARNESS KIT)
 WHERE IGN SWITCH HAS
 NO "ACC" TERMINAL,
 CONNECT TO COIL + AS
 SHOWN ON OTHER SIDE

**4-WIRE
 CONNECTION TO
 ORIGINAL OD
 RELAY**

